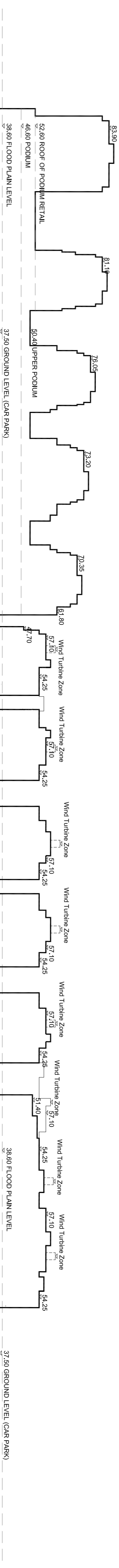


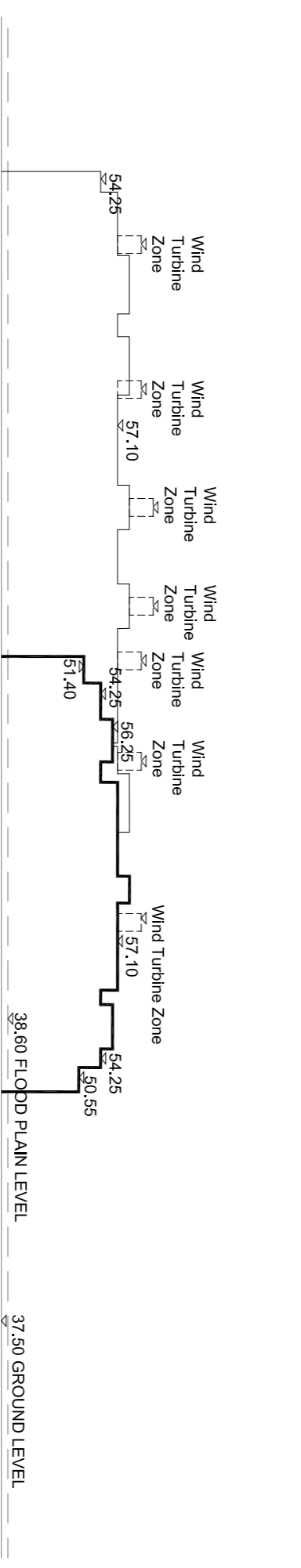
SOUTH ELEVATION



NORTH ELEVATION



EAST ELEVATION



WEST ELEVATION

Rev.	Date	Comment	By

Do not scale from this drawing
 All dimensions are to be checked on site
 Any discrepancies are to be reported immediately to the Architect or Main Contractor

COPYRIGHT © 2006
 ALL RIGHTS RESERVED IN THE COPYRIGHT OF THE COPYRIGHT
 DESIGN AND PATENTERS ACT 1988. HAVE BEEN GENERALLY ASSERTED

Client:
ZED Homes
 110 Stoney Road, South Harrow
 Middlesex, HA2 8XJ

Project:
Ashford Zed

Drawings:
Proposed Elevations
 - UNDATED

Project No.	Drawing No.	Title	Scale
654	2101	P3	-

Scale: 1:1000 @ A1 August 2006 GF
 Checked By: DH

Sidell Gibson Architects

Sidell Gibson Partnership LLP
 The Canal Building, 37 Kensal Town Road, London NW1 8NK
 T: +44 (0)20 7287 2999
 F: +44 (0)20 7287 2999
 E: info@sidellgibson.co.uk